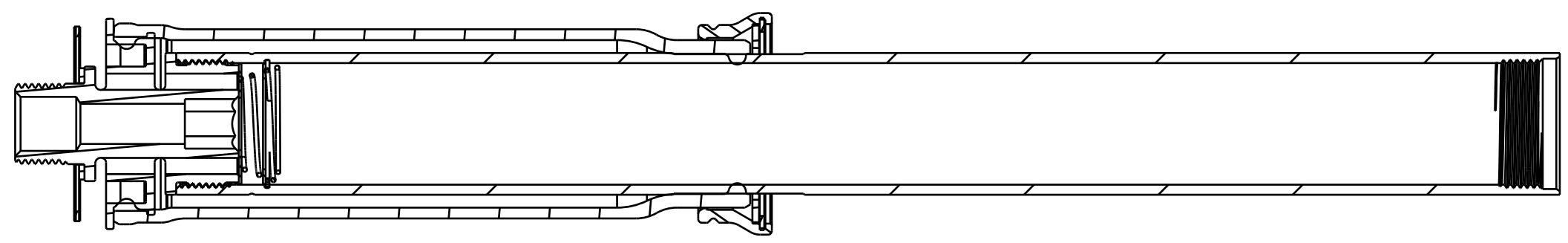


4

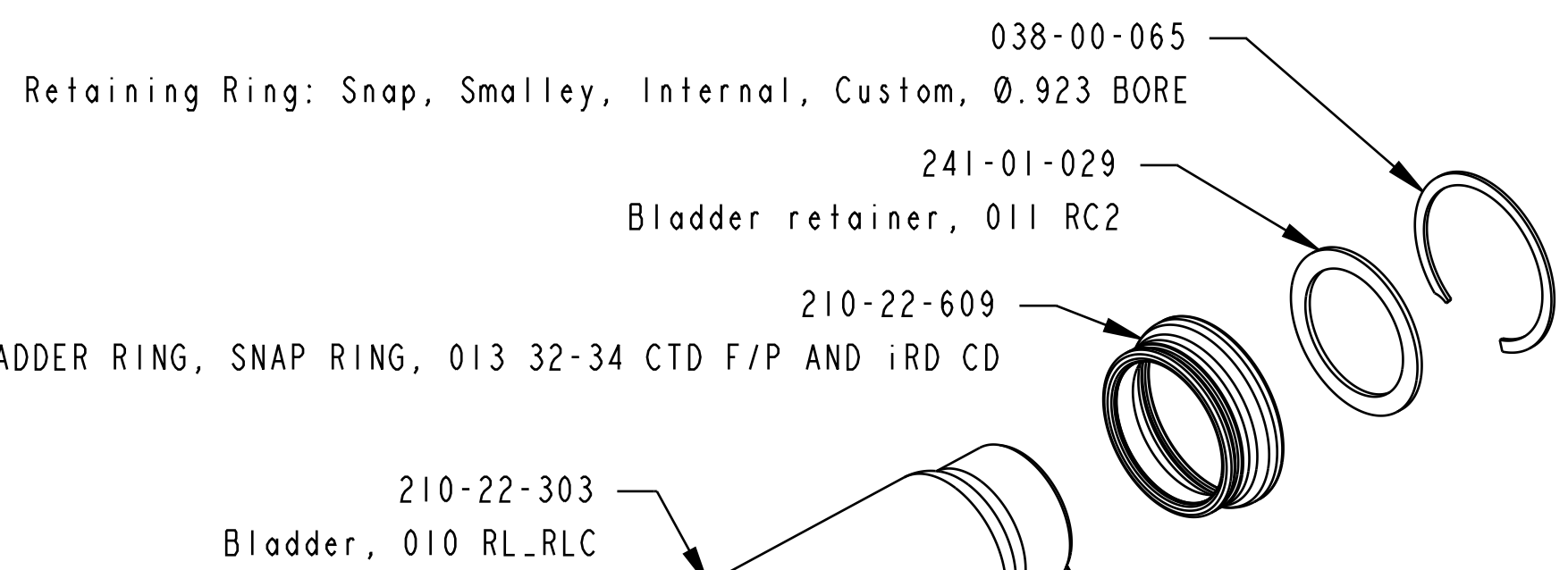
3

2

1



SECTION A-A



LOWER BLADDER RING, SNAP RING, 013 32-34 CTD F/P AND iRD CD

GREASE:
THIN LAYER
OF SLICK HONEY
ON INNER/OUTER
SURFACES

040-04-080
Valve: [.800 OD X .377 ID X .004 TH]

040-15-090
Valve: [0.900 OD X 0.377 ID X 0.015 TH]

040-25-052
Valve: [0.515 OD X .377 ID X .025 TH]

TORQUE:
75±5 IN.LB.

204-77-201
Body: (T) Cartridge, Machined, 120, 2013 iRD CD/FIT CTD

038-00-061
Retaining Ring: Internal, Smalley VH-56, 302 Stainless Steel

045-00-131
VALVE, METRIC [14.12MM OD X 10.67MM ID X 0.30MM TH]

039-00-205
Spring, Compression Check, 2013 CTD and Jupiter

045-00-130
VALVE, 14.12MM OD X 6.15MM ID X 0.3MM TH

210-22-589
Coupler, 2013 CTD, F/P

043-24-090
Valve: Ring Shim [0.900 OD X 0.810 ID X 0.012 TH]

040-04-090
Valve: [.900 OD X .377 ID X .004 TH]

REF 820-03-248-KIT
2013 831 Compression Valve Stack, CTD-Adj

PROPRIETARY -
THIS DOCUMENT CONTAINS CONFIDENTIAL, PROPRIETARY INFORMATION
THAT IS FOX PROPERTY. DO NOT DISCLOSE TO OR DUPLICATE
FOR OTHERS EXCEPT AS AUTHORIZED BY FOX.

FOX FOX Factory, Inc.		Ph 831-768-1100
130 Hangar Way, Watsonville, CA 95076 USA		Fax 831-768-9312
TITLE Bladder And Cart Body Assy, 2013 831 120 FIT CTD-ADJ		
SIZE C	DWG. NO. 820-03-247-KIT	
PLOT SCALE .00 : 1		SHEET OF 1

4

3

2

ProE ASSEM